

LF series cabs

Exterior



The urban cab

The external looks of the LF cab clearly show its family ties with the CF and XF cabs. A large grille with DAF logo on a silver bar and silver strips along the lower edges of the three wide horizontal openings, and a beautiful as well as functional headlight panel and galvanized steel bumper.

A closer look at the cab front reveals still another quality: the perfect fit and finish, resulting from a high form stability of the various panels, exactly defined clearances between panels and the absence of infill panels for the different weight classes.

In the inner-city or on regional roads: the LF distribution cab always makes a good impression. Tasteful styling, sound constructions and good workmanship, the LF cab breathes quality in all aspects.

Manoeuvrable, robust and nice to look at

The LF cab was designed for distribution applications, Easy access, excellent visibility, compact and highly manoeuvrable. With an optional lower kerb view window in the co-driver's door to further increase safety.

In dense and chaotic inner-city traffic the vehicle should not be susceptible to minor but costly damages. However, as more than in any other application urban distribution vehicles are exposed to the public eye, the cab should give a pleasant effect.

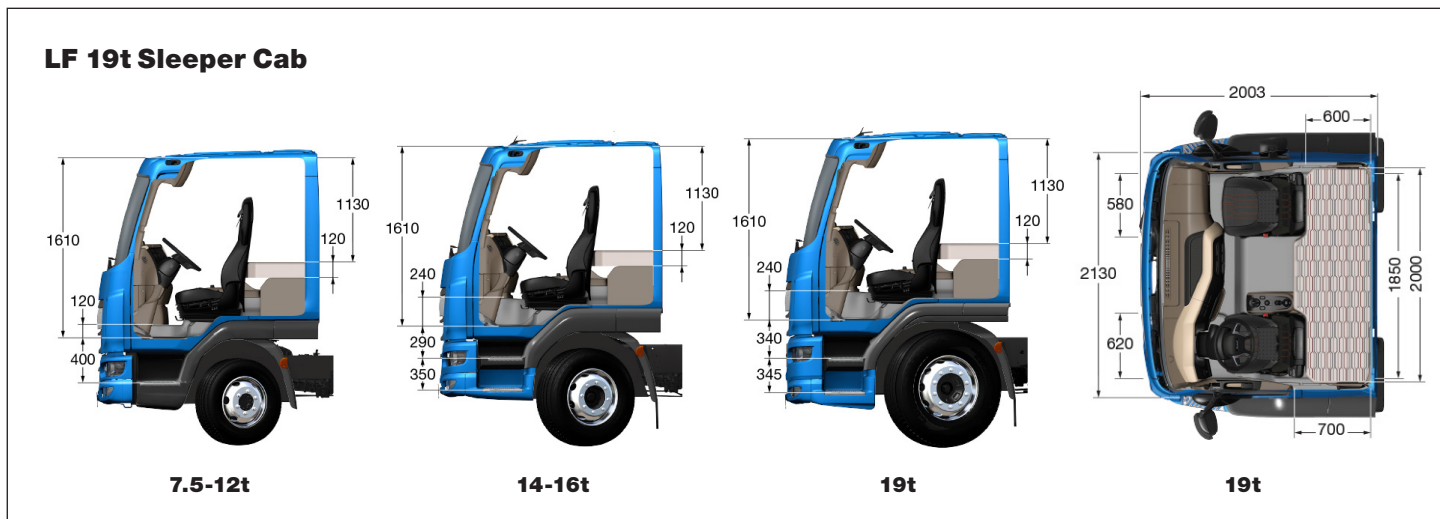
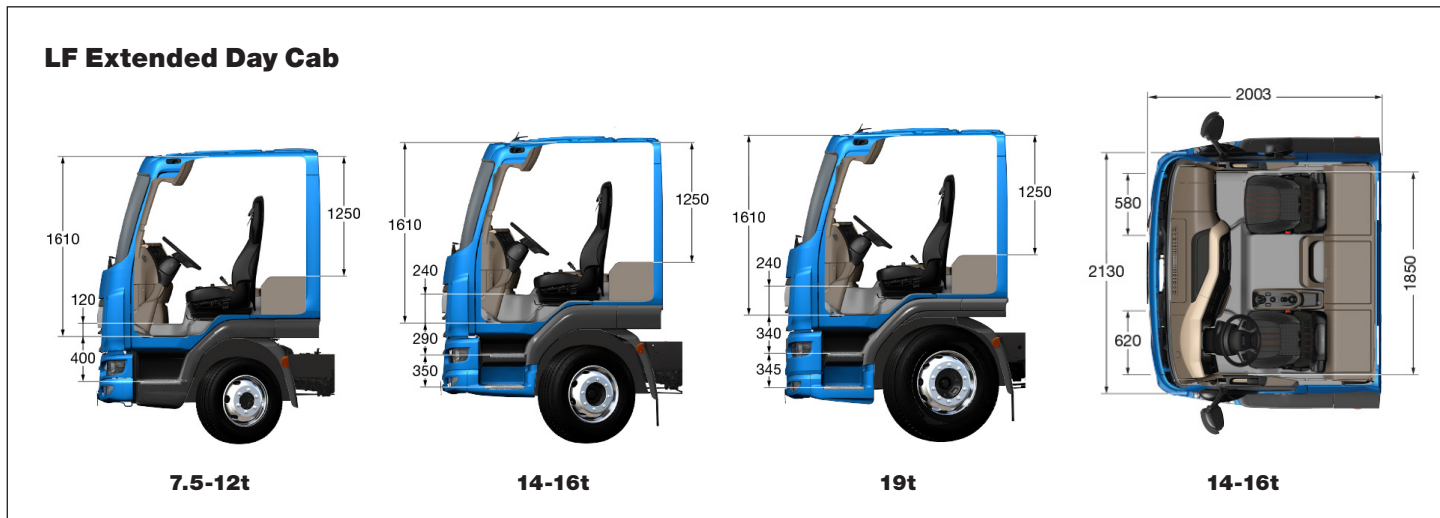
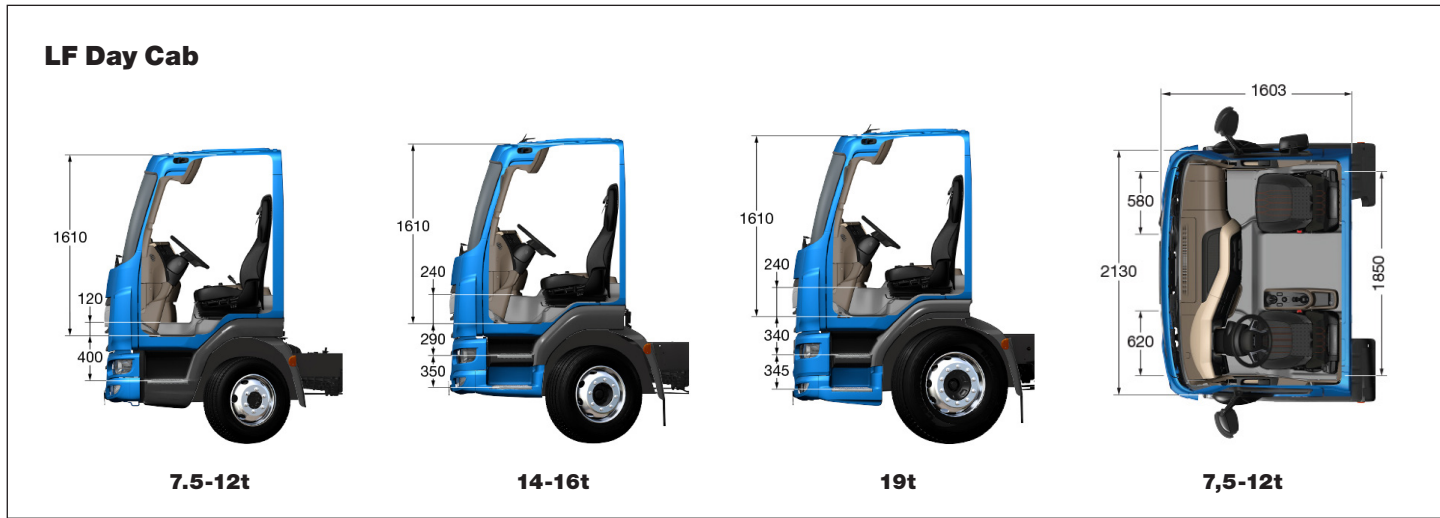
Cab styling

To a large extent the appearance of the LF cab is set by the large windscreen area and the deep, wide grille. A silver bar with DAF logo decorates the top section of the grille. Three wide cooling openings with honeycomb grids and silver strips along the lower edges in both the upper and the lower grille create the impression of a one-piece cab front from roof to bumper. Plenty of space for company logo and name is available in a prominent position below the windscreen. The lower cab area is dominated by the new headlight panel and a neat front bumper. Three different depths for the headlight panel are used depending on the wheel size.



LF series cabs

Dimensions



LF series cabs

Interior



Interior styling and trim

A new instrument panel, new seats, a new Sleeper Cab bunk and curtain materials provide a fresh and new look. With functionalities that support the driver and enhance ergonomics, to make driving the LF even more relaxed.

Driving

Apart from its modern looks the dashboard design features control, comfort and ergonomics. The dashboard switches, the multifunctional main lighting switch and the instrument panel, in which the 5 inch full colour TFT display with Driver Performance Assistant, immediately attracts attention. Switches with similar functions are grouped together for easy reference. The dashboard wing contains a double-DIN slot, and in case of a manual gearbox a gear shift lever positioned on a dashboard mounted console.

Seats

The LF seats are designed to offer excellent seating comfort. The materials and foams are carefully selected in order to maintain an optimum microclimate. The tasteful breathing upholstery perfectly matches the interior colour of the cab.




Dual mate seat

A dual mate seat with upholstery as for the driver and co-driver seats is optional for a Day Cab or extended Day Cab. Head restraints for both seats and a foldable arm rest for the inner seat are optional for the Day Cab and standard for the extended Day Cab. The same applies for the foldable back rest of the inner seat, which can be used as a table, if folded.

In case of a Day Cab both occupants will have an inertia reel seat belt, attached to the cab structure. The inner seat will have a lap belt if the dual mate seat is installed in an extended Day Cab.

LF series cabs

Specifications

	Day Cab	Extended Day Cab	Sleeper Cab
			
Lights:			
Halogen headlamps with Lexan lenses	●	●	●
Daytime Running Lights	○	○	○
Fog lights and cornering lights	○	○	○
Two hazard beacon lights	○	○	○
Cab interior:			
Electrically operated windows	●	●	●
Adjustable steering column	●	●	●
Driver Performance Assistant (DPA)	●	●	●
Dual mate seat	○	○	○
Leather steering wheel	○	○	○
DAF Truck Phone hands free telephone kit	○	○	○
Auxiliary heater	-	○	○
Air conditioning	○	○	○
Roof hatch	○	○	○
Storage box on engine tunnel	●	-	-
Lower bunk / curtains	-	-	●
Truck Navigation Radio (TNR)	○	○	○
USB accessory connector	○	○	○
Cab exterior:			
Electrically heated main mirrors	●	●	●
Front view mirror	●	●	●
Green tinted glass	●	●	●
Galvanised steel bumper	●	●	●
Electrically adjustable main mirrors	○	○	○
Electrically heated windscreen	○	○	○
Bumper + step in cab colour	○	○	○
External sun visor	○	○	○
Rear window	○	-	-

- = basic
- = optional

Depending on the vehicle configuration a specific option may not be possible. The availability and specification may differ per country. For further information please contact the DAF organisation. Subject to modification without prior notice